

2.17 TG-X

Profile buffer screws Indextrut

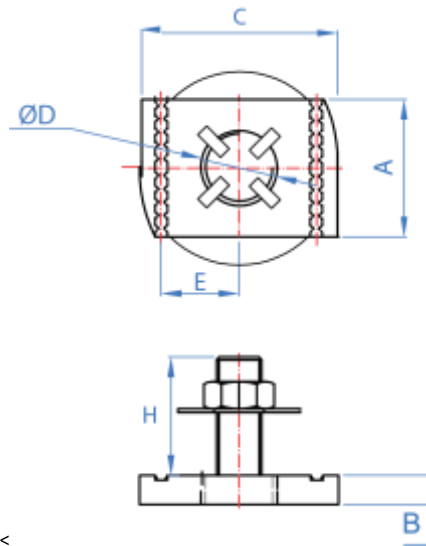


Material	Coating	Valid for
Steel	Zinc-plated	Indextrut slotted channel

Installation Data

Code	A	B	C	ØD	E	H
TGX0840	20	6	35	M8	12,5	40
TGX0860	20	6	35	M8	12,5	60
TGX1040	20	8	35	M10	12,5	40
TGX1060	20	8	35	M10	12,5	60

Drawing



Maximum recommended sliding and tension loads

Code	Channel	Installation torque [Nm]	Sliding load [kN]	Tension load [kN]
TGX0840 / TGX0860	GPX414120	14.9	0.75	6.20
TGX1040 / TGX1060	GPX414120	25.8	0.89	7.74
TGX0840 / TGX0860	GPX414125	14.9	0.75	6.20
TGX1040 / TGX1060	GPX414125	25.8	0.89	7.74