

2.13

TAEZ,TAEN

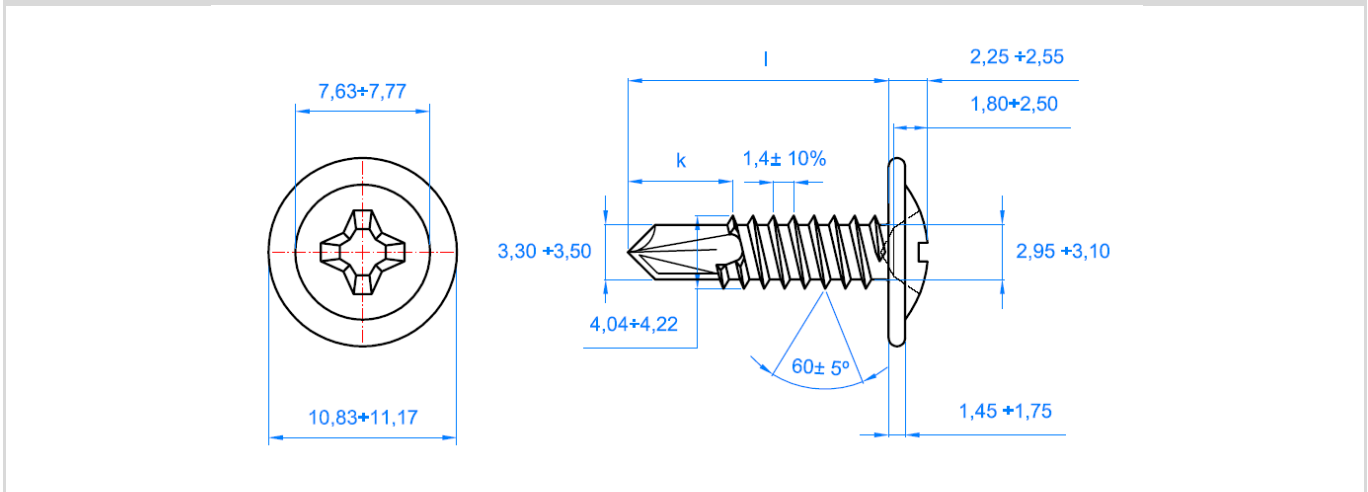
Self-drilling screw – low dome head – Ph socket with embossed washer

	Properties		
	Steel	Zinc-plated coating	Black zinc-plated

Base material		Properties		
Metal plate assembly	Plate profile	Ph	Low dome head	Screw point

Installation data			ST 4.2
CODE			
d _k : head diameter ≤	[mm]		11.17
Head thickness ≤	[mm]		2.55
Ph bit	[mm]		nº 2
k: point length	[mm]		4.4 – 5.2
D: exterior thread diameter			4.22
d: interior thread diameter	[mm]		3.10
p: thread	[mm]		1.4
l: lengths	[mm]		13 - 32
Installation bit code (Ph bit)	[mm]		PUPHC02/PUPHL02
Drill capacity			1.00 - 2.50

DRAWING



- Zinc-plated (code TAEZ) or black zinc-plated (code TAEN) finish.
- For use in fixings where an even distribution of pressure is required, without the need for assembling additional flat washers, and without the head protruding excessively:
 - For fixing soft materials on metal (methacrylate, plastic, chipboard, thin metallic plates, etc).
 - Large or oversized holes.